



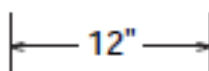
Chambers County Fire Marshal's Office **Fire Lane Marking**



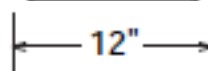
Fire apparatus access roads are required for new buildings and facilities per **Section 503.1.1 of the International Fire Code 2009**, and **Section 503.3** states the roads will be marked where required. The following supplements **Section 503.3** by detailing the manner in which those roads shall be marked:

1. Per Section 503.1.1, Fire apparatus access roads shall extend to within 150' of all exterior portions (perimeter) of the first story of the building.
2. Per Section 503.2.1, Fire apparatus access roads shall have an unobstructed width of not less than 20 feet, exclusive of shoulders, except for *approved* security gates in accordance with Section 503.6, and an unobstructed vertical clearance of not less than 13 feet 6 inches (4115 mm). Therefore, the minimum width of a "fire lane" will be 20 feet.
3. Buildings of 30' or greater height require at least 2 fire lanes of at least 26' width.
4. Each fire lane shall be continuously marked on both sides of such lane with red paint, either on the curb or where the curbs are not present, with a continuous line not less than four inches wide. On the red painted surface, the wording "NO PARKING – FIRE LANE" in white letters three inches high shall be conspicuously and legibly marked and applied at each end and at least every 25 feet.
5. Where surface materials or conditions do not allow marking of lanes with red paint, fire lane signs shall be installed no lower than six feet or higher than seven feet above the ground as measured from the bottom of the sign. A fire lane sign shall be installed at each end of the fire lane with arrows pointing toward each other (Type "A" or "C"). Additional signs (Type "D") shall be installed every 25 feet along the fire lane. There shall not be less than two signs in each continuous fire lane. Fire apparatus access roads 20 to 26 feet wide shall have signs posted on both sides as a fire lane. Fire apparatus access roads more than 26 feet wide shall be required to have signs posted on only one side of the road as a fire lane. Signs shall have red letters on a white reflective background and be designed as indicated below.

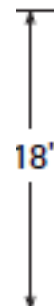
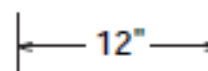
SIGN TYPE "A"



SIGN TYPE "C"



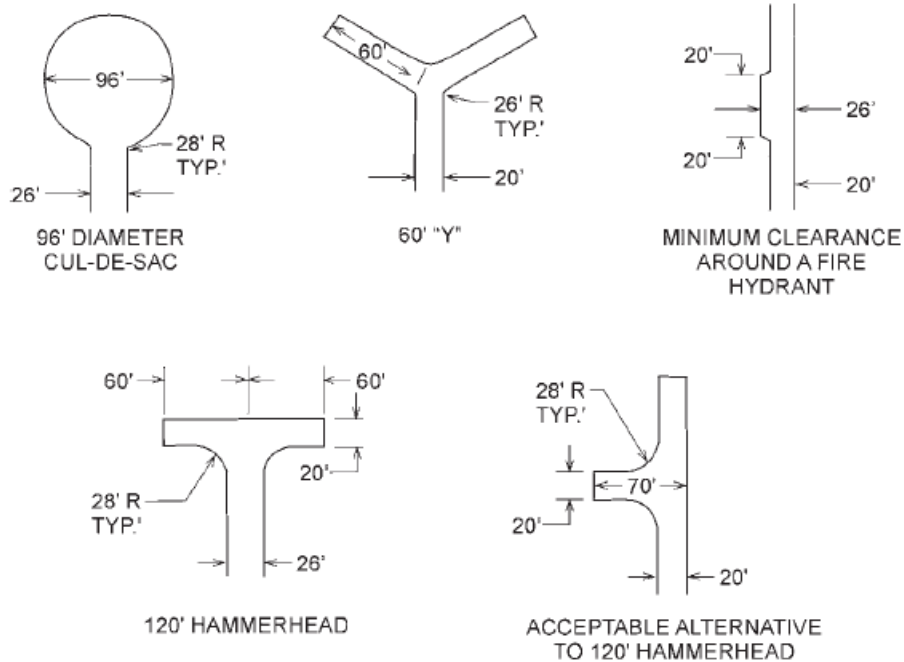
SIGN TYPE "D"



6. Per Section 503.2.5, dead end roads in excess of 150 feet shall be provided with a turn-around per table D103.4

**TABLE D103.4
REQUIREMENTS FOR DEAD-END FIRE
APPARATUS ACCESS ROADS**

LENGTH (feet)	WIDTH (feet)	TURNAROUNDS REQUIRED
0-150	20	None required
151-500	20	120-foot Hammerhead, 60-foot "Y" or 96-foot-diameter cul-de-sac in accordance with Figure D103.1
501-750	26	120-foot Hammerhead, 60-foot "Y" or 96-foot-diameter cul-de-sac in accordance with Figure D103.1
Over 750		Special approval required



7. Fire lane width shall be measured face of curb to face of curb (FC-FC).
- Fire lanes with a width of 24 feet, require a turning radius of 30 feet.
 - Fire lanes with a width of 26 feet, require a turning radius of 30 feet.
 - Fire lanes with a width of 30 feet, require a turning radius of 20 feet.