



Chambers County Fire Marshal's Office

Remote Fire Hose Connections



Fire apparatus access roads are required for new buildings and facilities per **Section 503.1.1 of the International Fire Code 2015**, and **Exception 1.2** allows an alternative means of fire protection where fire apparatus roads cannot be installed because of location on property, topography, waterways, non-negotiable grades or other similar conditions (including railways).

- 1. Remote fire hose connection.** Where approved by the County Fire Marshal, remote fire hose connections may be installed to reduce the length of the required fire hose length as required by Section 503.
- 2. External remote fire hose connection.** Remote fire hose connections shall be designed using a minimum of 4 inch (102mm) diameter galvanized steel pipe for up to 1,000 ft. (305 m), or 6 inch (152mm) diameter galvanized steel pipe for over 1,000 ft. (305 m) in length, or any other equivalent pipe material approved by the County Fire Marshal. The fire department connection shall be "twin" 2-1/2 inch connections, and fire hose connections shall be 2-1/2 inch. If located within the City of Baytown Fire Department response district, the FDC must be a single 5" Storz connection.
- 3. Installation.** The fire department connection and hose connections shall be a minimum height of 18 inches and a maximum of 48 inches, and installed within 10-ft of a fire department access door if not fronting a fire lane access road.
- 4. Vehicle impact protection.** Shall be provided and comply with Section 312 of the International Fire Code.
- 5. Signs and markings.** External remote fire hose connections shall comply with Section 912.5 of the International Fire Code. The FDC must be clearly marked "FDC – Standpipes".
- 6. Remote fire hose connection location(s).** Where approved by the County Fire Marshal, remote fire hose connections shall be installed so that all portions of the building are covered within 150 ft. of fire hose lay. Fire department connection shall be located within 10 ft of the fire lane.

Exception: Fire hose lay may be increased up to 200 ft. when the building is protected with an automatic fire sprinkler system.

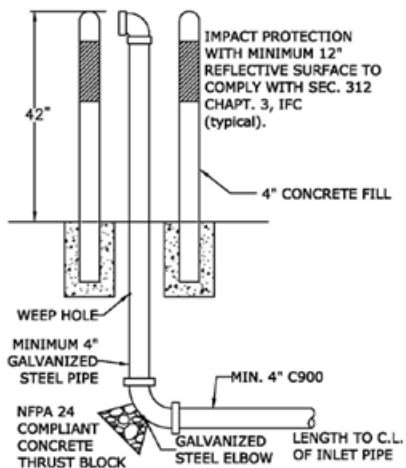
- 7. Maintenance, inspection, and testing.** Remote fire hose connections shall be maintained, flow tested, and inspected annually. A written record shall be maintained and shall be made available to the fire code official.

External Remote Fire Hose Connection

FDC INLET CONNECTION SECTION DETAIL

FDC (Fire Dept. Connection)

LOCATED WITHIN 10' OF FIRE LANE
TO BE DETERMINED BY FIRE DEPT.



FDC OUTLET CONNECTION SECTION DETAIL

Y Connection

Two 2 1/2 Inch NPT
GATED OR VALVED

